

Stull Feeder Boxed Assembly Instructions

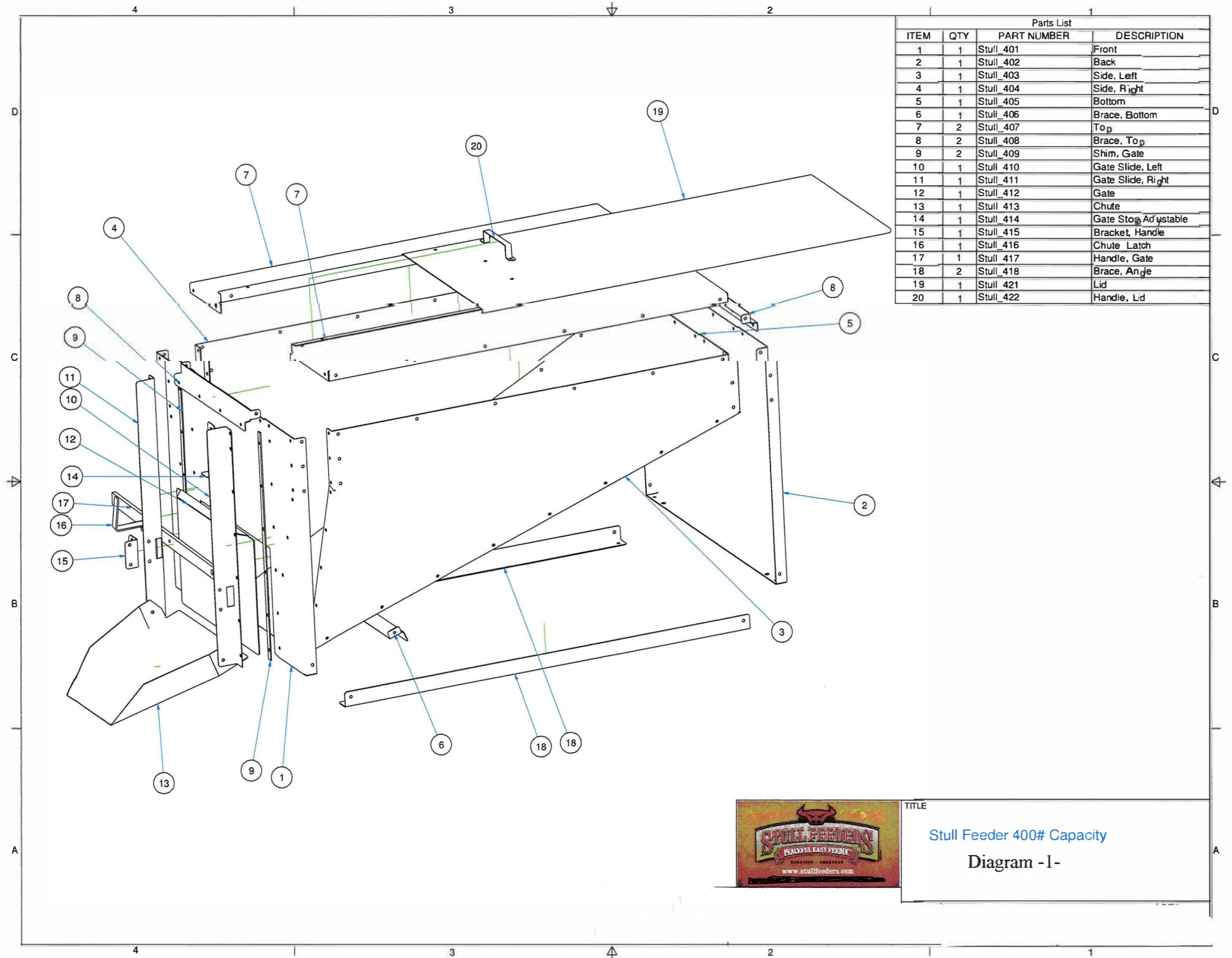
For 400 Pound Feeder

- 1.) Attach left and right sides(3)&(4)(**Black Dot**)to feeder bottom(5)with included hardware.
- 2.) Attach front(1)(**Brown Dot**)and back(2)(**Green Dot**)to corresponding holes in the two left and right sides.
- 3.) Attach the lower bottom brace(6)(**White Dot**) to feeder bottom along with two lower angle braces(18)
- 4.) Attach the left and right gate slides (10)&(11)(Purple Dot)along with the gate shims(9)(Blue Dot)between the front panel and the gate slides using the included hardware.**
- 5.) Install the gate(12)(Yellow Dot)by simply sliding between the previously installed front panel and the gate slides**
- 6.) Attach chute (13) to feeder bottom by inserting two, (one on each side), 1/4x1/2 bolts through remaining holes in feeder bottom and snug locking nuts just enough to allow chute to pivot freely.
- 7.) Now install the **TWO** top left and right sections(7)(**Pink Dot**)overlapping the already assembled pieces. Be sure to install the front and back top braces (8) at this time.
- 8.) Attach the handle bracket (15) to either the left or right gate slides, depending on whether unit will be for left or right sided operation.
- 9.) Attach the gate handle (17) using supplied hardware. Install the gate bolt from the backside of door with the locking nut to the outside. This will allow for smoother operation of the sliding gate assembly.
- 10.)Install the chute latch (16) by aligning with holes on the handle bracket (15). Do not over tighten as to allow the latch to pivot freely.
- 11.)Install gate stop and T-bolt in hole directly above gate.
- 12.)Before sliding on the feeder lid (19), make sure and attach the provided edge guard on top flange of the two top pieces where feeder top will slide. Use one for each left and right section.
- 13.)Finally, install lid handle (20) on feeder lid (19) and slide on the feeder by aligning the angled top guides to the 1" tabs on each of the side panels.
- 14.)Your **Stull Feeder** is now ready for installation on your ATV or UV.

***** FOR DIGITAL INSTRUCTIONS PLEASE VISIT STULLFEEDERS.COM UNDER PRODUCTS AND SERVICES*****

For questions on operation, assembly, or replacement parts call 1-800-369-4131, or e-mail to info@stullfeeders.com

Stull Feeders Incorporated 2007,1595 Mountain Vista Rd., Harrison, AR 72601, Patent Pending



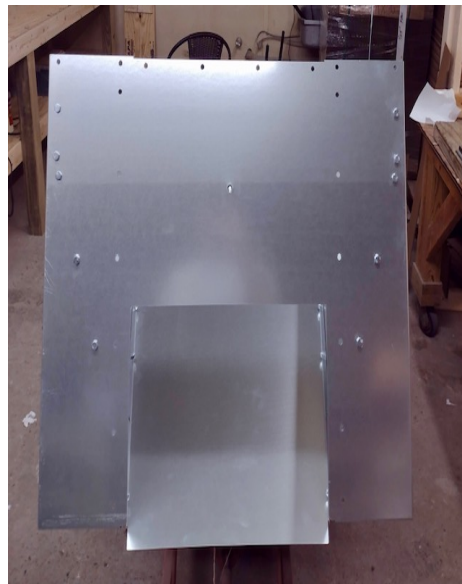
Parts List			
ITEM	QTY	PART NUMBER	DESCRIPTION
1	1	Stull_401	Front
2	1	Stull_402	Back
3	1	Stull_403	Side, Left
4	1	Stull_404	Side, Right
5	1	Stull_405	Bottom
6	1	Stull_406	Brace, Bottom
7	2	Stull_407	Top
8	2	Stull_408	Brace, Top
9	2	Stull_409	Shim, Gate
10	1	Stull_410	Gate Slide, Left
11	1	Stull_411	Gate Slide, Right
12	1	Stull_412	Gate
13	1	Stull_413	Chute
14	1	Stull_414	Gate Stop, Adjustable
15	1	Stull_415	Bracket, Handle
16	1	Stull_416	Chute Latch
17	1	Stull_417	Handle, Gate
18	2	Stull_418	Brace, Angle
19	1	Stull_421	Lid
20	1	Stull_422	Handle, Lid



TITLE
Stull Feeder 400# Capacity
Diagram -1-



STEP 1



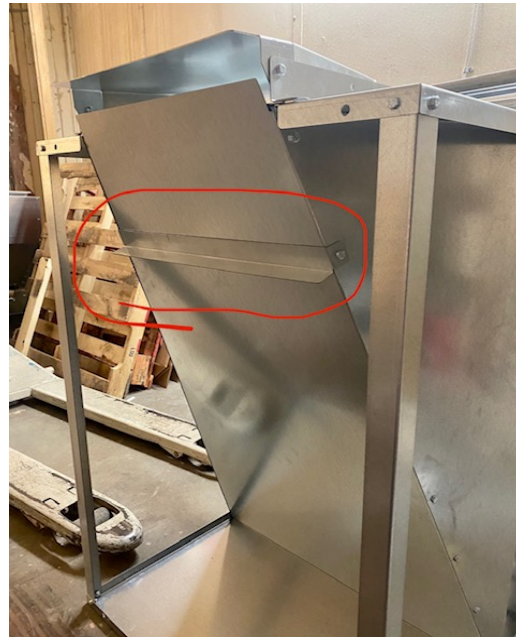
STEP 2



STEP 2



STEP 3

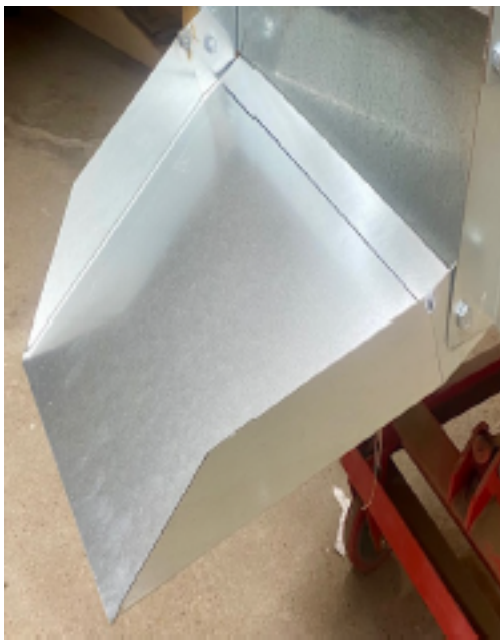


STEP 3

Remember to add the lower bottom
brace on bottom belly of feeder!



STEP 4 & 5



STEP 6



STEP 7



STEP 7



STEP 8



STEPS 9 & 10



STEP 12



Top Rail Application



Riser Mount Application

STULL FEEDERS WARRANTY

Your *Stull Feeder* is covered by a one (1) year Limited Warranty on material and workmanship from date of original purchase. Purchase must have been made through an Authorized Dealer. This warranty covers defects in workmanship and materials. This warranty does not apply to units damaged due to intentional abuse. A purchase from individuals, unauthorized dealers, or unauthorized internet sites voids the warranty.

THIS WARRANTY DOES NOT APPLY TO CORROSION, RUST, ETC. AFFILIATED WITH PRODUCTS USED CONTAINING EXTREME SALT CONTENT.

Return authorization must be obtained from Customer Service at 800-369-4131 prior to returning product.

www.stullfeeders.com

****NOTE:** There will be a 20% restocking fee on all returned feeders not associated to warranty issues.

PLEASE RETURN BOTTOM PORTION WITHIN 15 DAYS OF PURCHASE. THANK YOU.

PRODUCT REGISTRATION

STULL FEEDERS, INC.

First Name:

Initial:

Last Name:

Street:

Apt. #:

City:

State:

Zip:

E-Mail Address:

Phone #:

Date of Purchase:

Where Purchased:

Item Purchased:

Send Product Registration to:

**STULL FEEDERS, INC.
1595 Mountain Vista Rd., Harrison, AR 72601**