

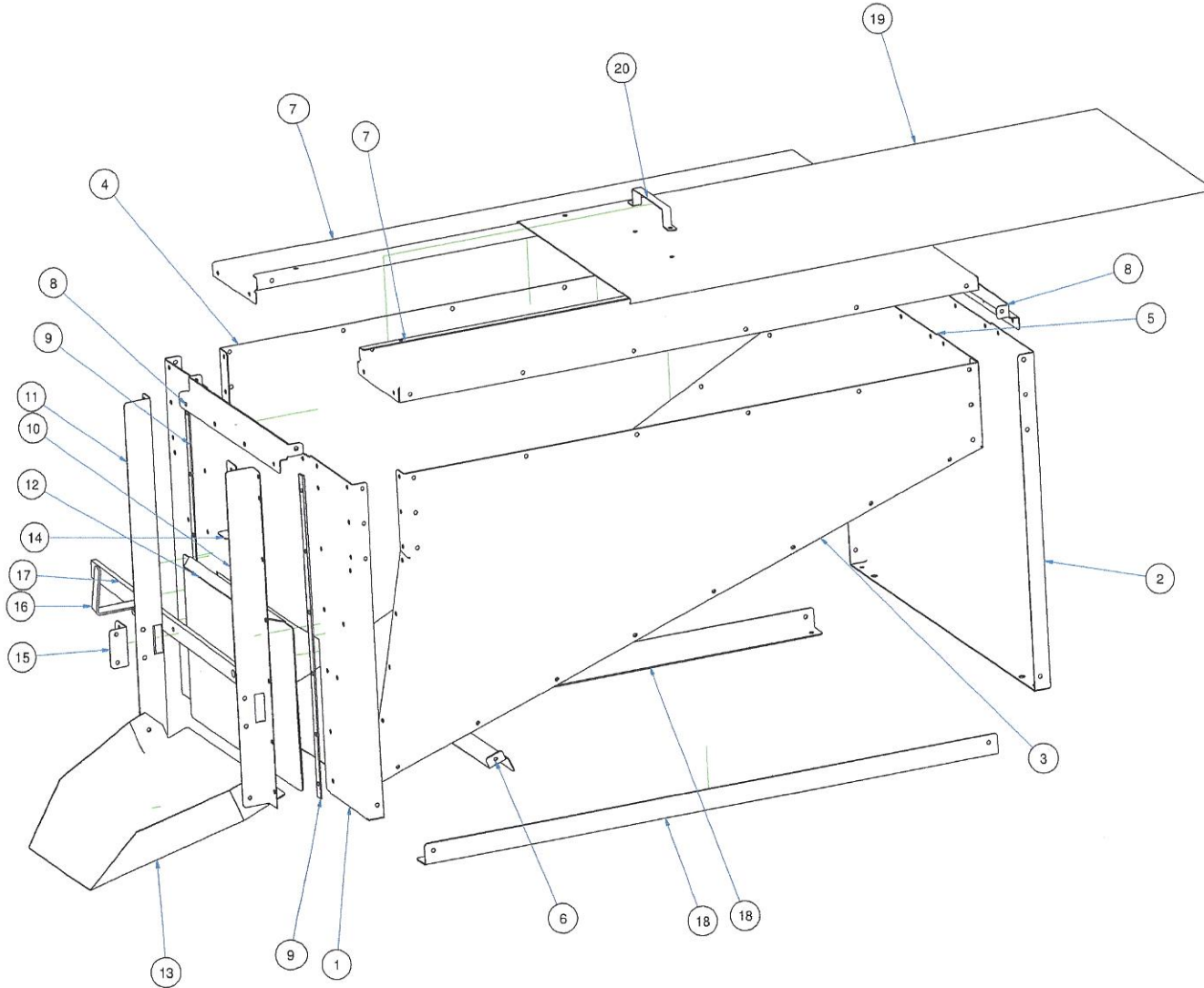
Stull Feeder Assembly Instructions

For 400 Pound Feeder

- 1.) Attach left and right sides **(3)** & **(4)** to feeder bottom **(5)** with included hardware.
- 2.) Attach front **(1)** and back **(2)** to corresponding holes in the two left and right sides.
- 3.) Attach the lower bottom brace **(6)** to feeder bottom along with two lower angle braces **(18)**
- 4.) Now install the two top left and right sections **(7)** overlapping the already assembled pieces. Be sure to install the front and back top braces **(8)** at this time.
- 5.) Attach the left and right gate slides **(10)** & **(11)** along with the gate shims **(9)** between the front panel and the gate slides using the included hardware.
- 6.) Attach chute **(13)** to feeder bottom by inserting two, (one on each side), 1/4x1/2 bolts through remaining holes in feeder bottom and snug locking nuts just enough to allow chute to pivot freely.
- 7.) Install the gate **(12)** by simply sliding between the previously installed front panel and the gate slides
- 8.) Attach the handle bracket **(15)** to either the left or right gate slides, depending on whether unit will be for left or right sided operation.
- 9.) Attach the gate handle **(17)** using supplied hardware. Install the gate bolt from the backside of door with the locking nut to the outside. This will allow for smoother operation of the sliding gate assembly.
- 10.) Install the chute latch **(16)** by aligning with holes on the handle bracket **(15)**. Do not over tighten as to allow the latch to pivot freely.
- 11.) Before sliding on the feeder lid **(19)**, make sure and attach the provided edge guard on top flange of the two top pieces where feeder top will slide. Use one for each left and right section.
- 12.) Finally, install lid handle **(20)** on feeder lid **(19)** and slide on the feeder by aligning the angled top guides to the 1" tabs on each of the side panels.
- 13.) Your **Stull Feeder** is now ready for installation on your ATV or UV.

For questions on operation, assembly, or replacement parts call 1-800-369-4131, or e-mail to info@stullfeeders.com

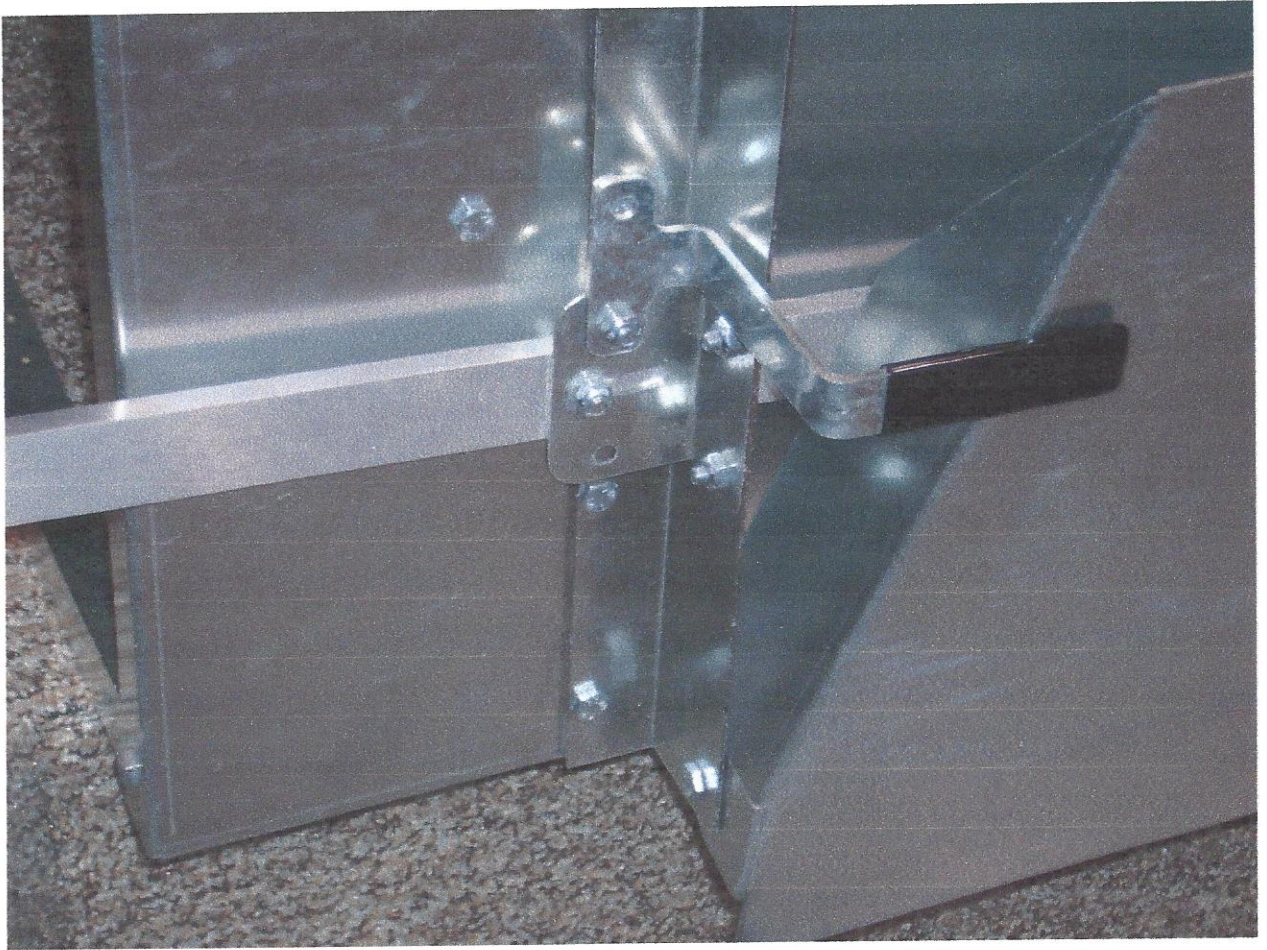
Stull Feeders Incorporated 2007, 11052 HWY 392, Harrison, AR 72601, Patent Pending



ITEM	QTY	PART NUMBER	DESCRIPTION
1	1	Stull_401	Front
2	1	Stull_402	Back
3	1	Stull_403	Side, Left
4	1	Stull_404	Side, Right
5	1	Stull_405	Bottom
6	1	Stull_406	Brace, Bottom
7	2	Stull_407	Top
8	2	Stull_408	Brace, Top
9	2	Stull_409	Shim, Gate
10	1	Stull_410	Gate Slide, Left
11	1	Stull_411	Gate Slide, Right
12	1	Stull_412	Gate
13	1	Stull_413	Chute
14	1	Stull_414	Gate Stop, Adjustable
15	1	Stull_415	Bracket, Handle
16	1	Stull_416	Chute Latch
17	1	Stull_417	Handle, Gate
18	2	Stull_418	Brace, Angle
19	1	Stull_421	Lid
20	1	Stull_422	Handle, Lid



TITLE
 Stull Feeder 400# Capacity
 Diagram -1-



400 Pound Feeder Diagram -2-